

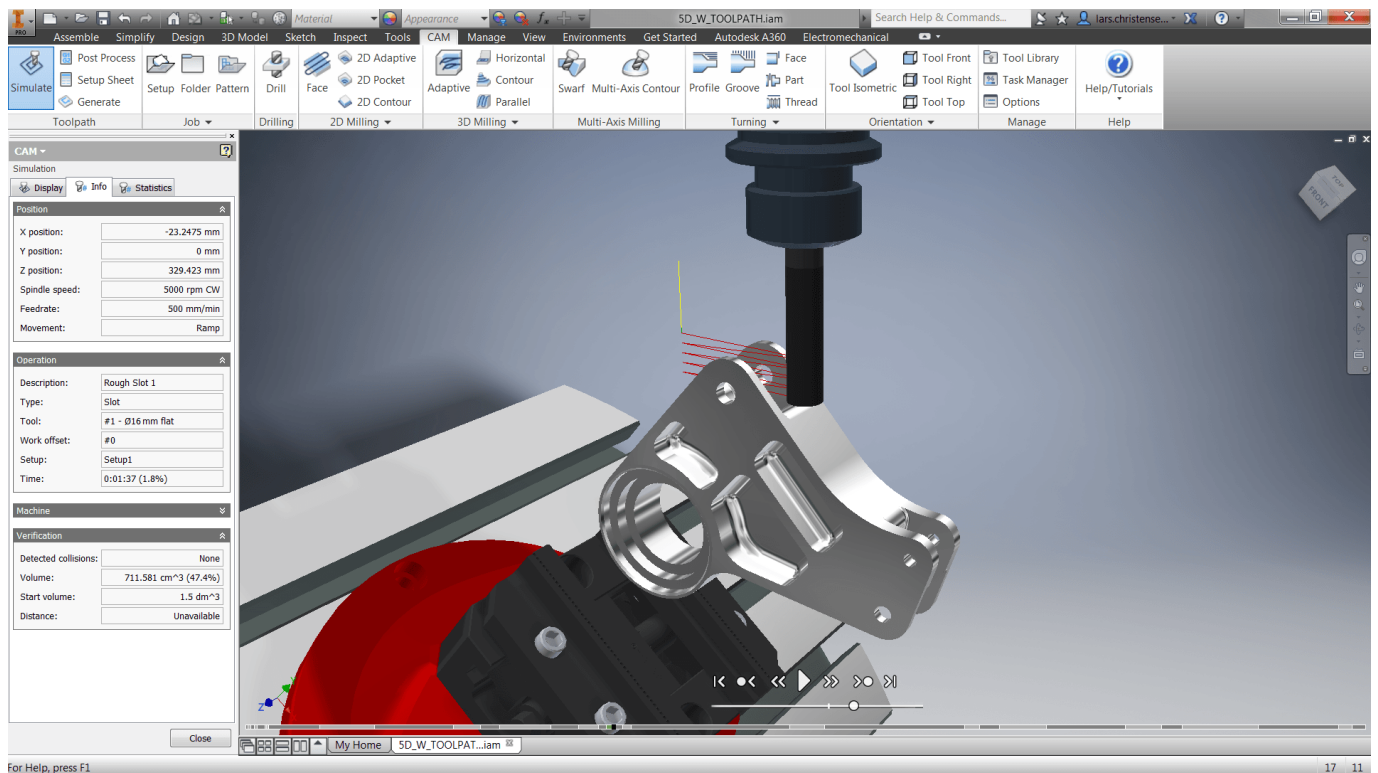


DOWNLOAD



DOWNLOAD

[Autodesk Inventor Download For Mac](#)



[Autodesk Inventor Download For Mac](#)



DOWNLOAD



DOWNLOAD

Click the blue link below to begin the download Download the installer Version 3.. Rights to install, access, or otherwise use Autodesk software and services (including free software or services) are limited to license rights and services entitlements expressly granted by Autodesk in the applicable license or service agreement and are subject to acceptance of and compliance.. You can download Autodesk Pixlr 1 1 1 for Mac from our application library for free.

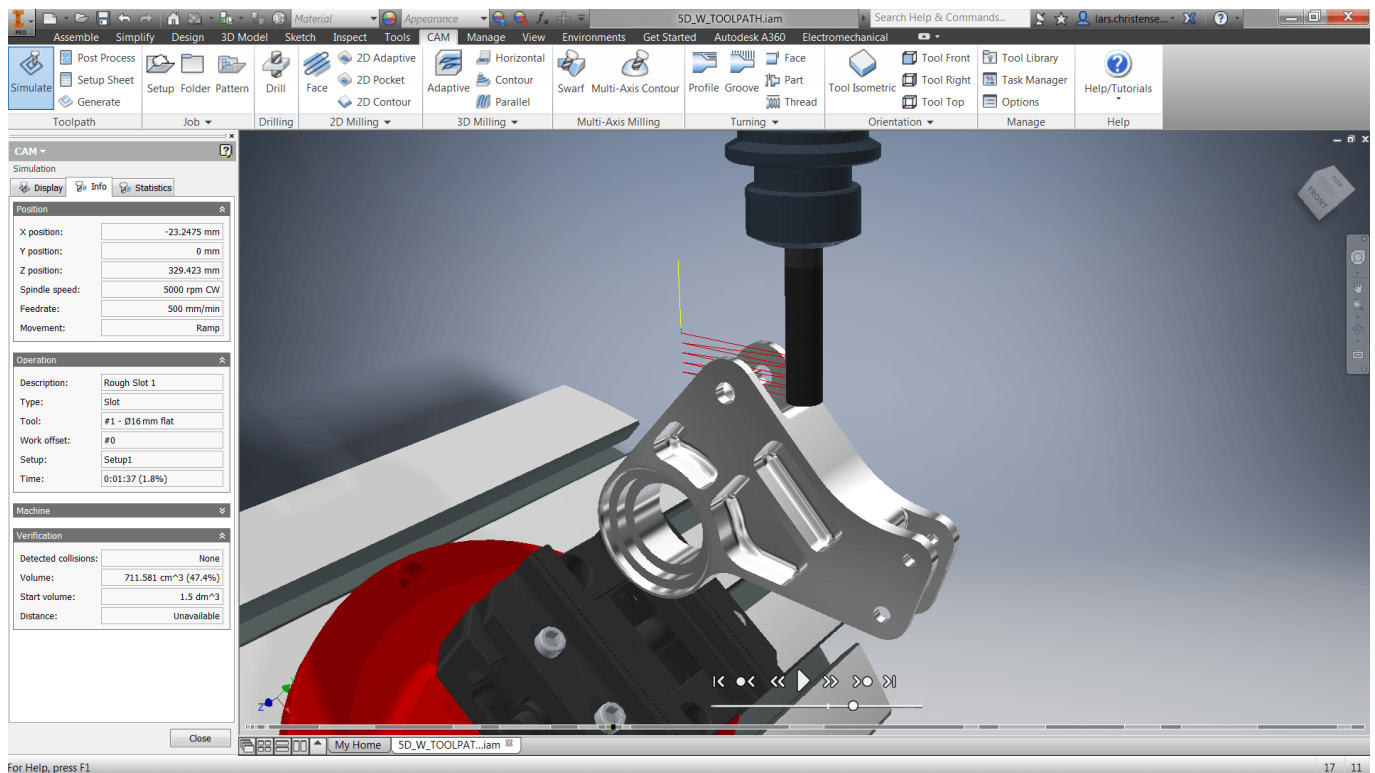
1. [autodesk inventor](#)
2. [autodesk inventor download](#)
3. [autodesk inventor tutorial](#)

Autodesk provides many native Mac products for 3D modeling, CAD, rendering, animation, VFX, and digital imagery.. In addition, we provide full support for a number of products when used on the Mac in virtualized environments including Parallels Desktop and VMware Fusion.. Autodesk provides many native Mac products for 3D modeling, CAD, rendering, animation, VFX, and digital imagery.

autodesk inventor

autodesk inventor student, autodesk inventor download, autodesk inventor, autodesk inventor vs solidworks, autodesk inventor vs fusion 360, autodesk inventor price, autodesk inventor tutorial, autodesk inventor free, autodesk inventor 2019, autodesk inventor 2017, autodesk inventor gratis, autodesk inventor 2018 [Mini-kms activator v1.31 office2010 vl rus.exe](#)

The actual developer of this Mac application is Autodesk Inc. And many more programs are available for instant and free download Autodesk inventor free download - Autodesk AutoCAD, Autodesk Maya Service Pack, Autodesk Maya, and many more programs.. 0: For macOS 10 10 (Yosemite) and up If you previously had the emulator installed, you may need to perform a hard reset.. If you're on a Subscription or Maintenance plan, head over to your Autodesk Account and download the latest release today. [Download Office For Mac Updates](#)



[Download MacOS High Sierra 10.13](#)

autodesk inventor download

[Superstring 2 Pro Lyric Video Maker 2 8 6](#)

Legal disclosures Autodesk makes software and services available on a licensed or subscription basis. [I Am Alive Reloaded Crack Fix](#)

autodesk inventor tutorial

[???? ???? ??](#)

In addition, we provide full support for a number of products when used on the Mac in virtualized environments including Parallels Desktop and VMware Fusion.. Puschner and CAD Download Autodesk Inventor Suite 2011 64 bit Updates to part geometry and process parameters are readily accommodated by GibbsCAM's full.. Download Thank you for using our software portal To download the product you want for free, you should use the link provided below and proceed to the developer's website, as this is the only legal source to get Autodesk Inventor Professional.. The application lies within Design & Photo Tools, more precisely Viewers & Editors.. Download autodesk inventor fusion mac for free Design & Photo downloads - Autodesk Inventor Fusion by Autodesk Inc.. Download a free trial of Inventor 2021 Learn how to use Autodesk's mechanical design and 3D CAD software with free Inventor tutorials and learning resources. ae05505a44 [Driver Little Programmer Usb Port](#)

ae05505a44

[طريقة عمل جدول على Excel 2010 ثروت](#)